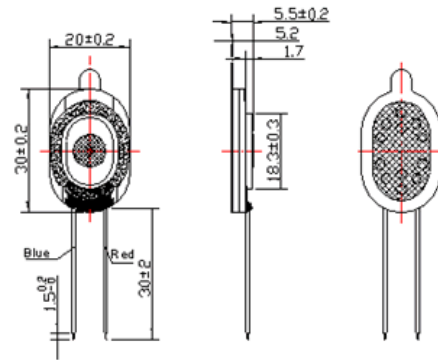
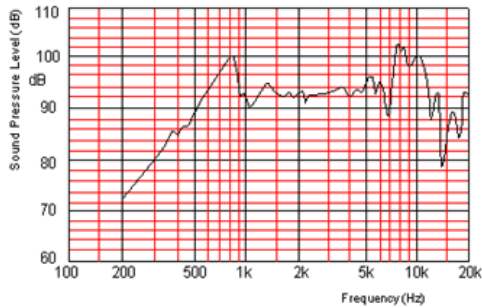


SPECIFICATION SHEET



TDM2030A-8H-W030 LF

Dimensions	20x30x5.5mm
AC Impedance	$8 \pm 15\% \Omega$ at 2000Hz
Rated Input Power	0.8W
Max. input power	1.0W
Resonance Frequency	$650 \pm 20\%$ Hz
Output Sound Pressure Level	95 ± 3 dB/0.1M 0.1W at 0.8, 1.0, 1.2, 1.5kHz Average
Frequency Response	Fo~14KHz
Operating Temperature	-20~+70°C
Storage Temperature	-40~+80°C



Shen Zhen Tianer Technology CO.,Ltd.
NO.421,4th Floor,KangLe Building,HuaQingNorth
TEL:0086-755-82799228
Mobile:(0)13603060099
E-mail:office@youbuzzer.com
<http://www.itianer.com>