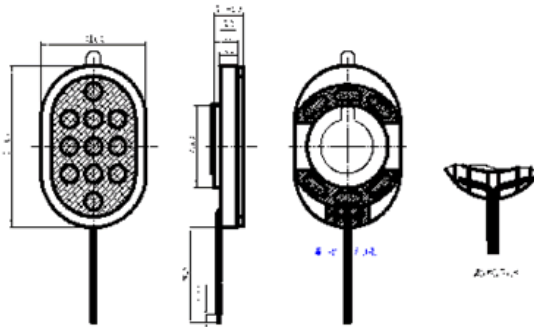
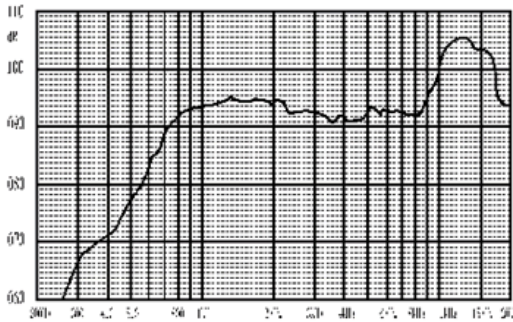


SPECIFICATION SHEET



TDM2030B-8-W030 LF-B

Dimensions	20x30x5.4mm
AC Impedance	$8 \pm 15\% \Omega$ at 2000Hz
Rated Input Power	0.5W
Max. input power	1.0W
Resonance Frequency	$900 \pm 20\%$ Hz
Output Sound Pressure Level	$94 \pm 3\text{dB}/0.1\text{M}$ 0.1W at 0.8, 1.0, 1.2, 1.5KHz Average
Frequency Response	F ₀ ~20KHz
Operating Temperature	-20~+60°C
Storage Temperature	-40~+70°C



Shen Zhen Tianer Technology CO.,Ltd.
NO.421,4th Floor,KangLe Building,HuaQingNorth
TEL:0086-755-82799228
Mobile:(0)13603060099
E-mail:office@youbuzzer.com
<http://www.itianer.com>