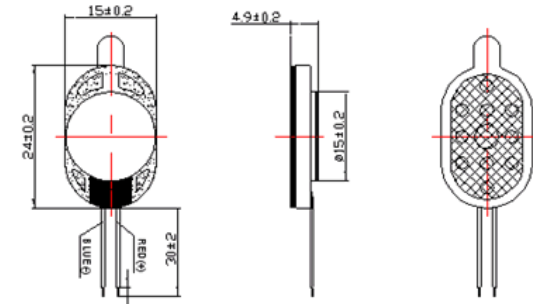
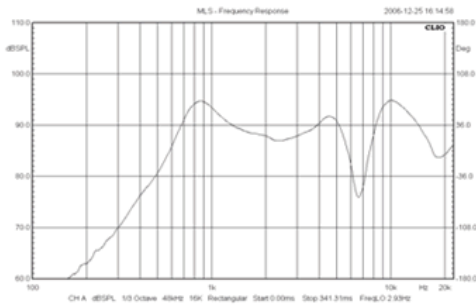


SPECIFICATION SHEET



**TDM2415A-8H-W030 LF**

Dimensions	24x15x4.9mm
Impedance	8 ± 15%Ω at 2000Hz
Rated Input Power	0.8W
Max. input power	1.0W
Resonance Frequency	750 ± 20%Hz
Output Sound Pressure Level	94 ± 3dB/0.1W 0.1m
	at 0.8, 1.0, 1.2, 1.5KHz Average
Frequency Response	Fo~6KHz
Distortion ( at 1kHz,0.8W)	≤5%
Buzzes & Rattles	Must be normal at sine wave 2.5V
Operating Temperature	-20~+70℃
Storage Temperature	-40~+80℃



Shen Zhen Tianer Technology CO.,Ltd.  
 NO.421,4th Floor,KangLe Building,HuaQingNorth  
 TEL:0086-755-82799228  
 Mobile:(0)13603060099  
 E-mail:office@youbuzzer.com  
<http://www.itianer.com>