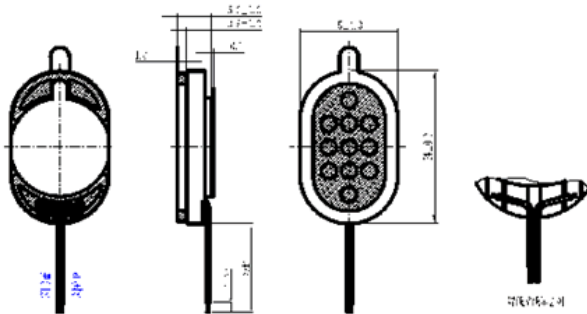
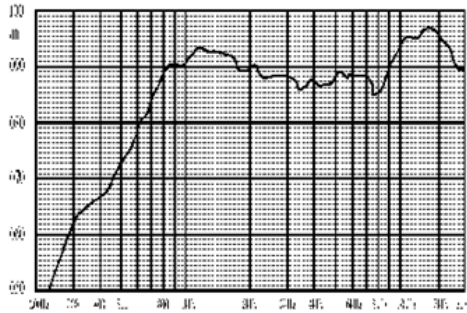


SPECIFICATION SHEET



TDM2415B-8-W030 LF-B

Dimensions	24x15x5.0mm
AC Impedance	8 ± 15% Ω at 2000Hz
Rated Input Power	0.5W
Max. input power	1.0W
Resonance Frequency	900 ± 20%Hz
Output Sound Pressure Level	90 ± 3dB/0.1M 0.1W at 0.8,1.0,1.2,1.5KHz Average
Frequency Response	Fo~20KHz
Operating Temperature	-20~+60℃
Storage Temperature	-40~+70℃



Shen Zhen Tianer Technology CO.,Ltd.
 NO.421,4th Floor,KangLe Building,HuaQingNorth
 TEL:0086-755-82799228
 Mobile:(0)13603060099
 E-mail:office@youbuzzer.com
<http://www.itianer.com>